

# LINEAR LIGHT enI-LI203



The LI203 LED Linear Light is a highly adaptable low glare fitting featuring a variety of beam angles. The LI203 can also be extended to cater to the clients specific project requirements.

## FEATURES

- Low glare design UGR < 16
- Aluminium housing for thermal management

## OPTIONS

- Extension pieces can be simply connected
- Multiple beam angle options



# LINEAR LIGHT en-LI203

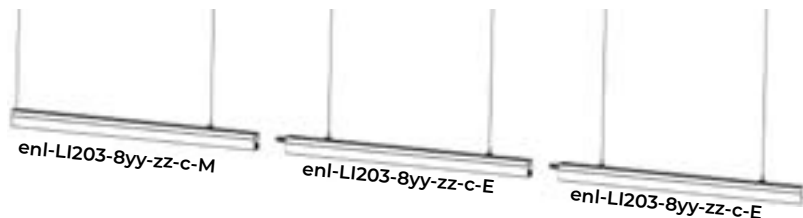
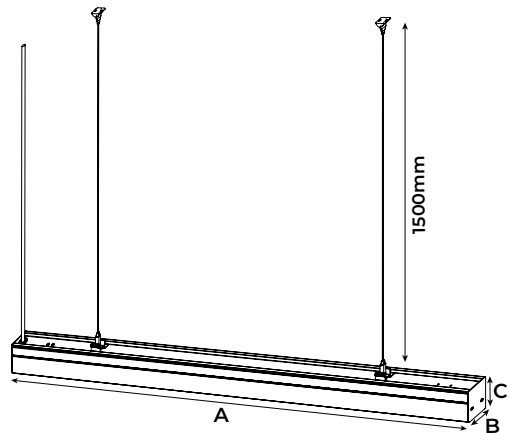


## PRODUCT RANGE

Model #	Rated Power (W)	Luminous Flux (lm)	Dimensions(mm)			Weight (kg)
			A	B	C	
enl-LI203-8yy-zz-c-M	42	3600-4000	1180	40	75	2
enl-LI203-8yy-zz-c-E						

yy stands for CCT. Use 30 for 3000K, 40 for 4000K, 50 for 5000K.  
 zz stands for Beam Angle. Use 15, 24, 38, 50 or 35x55  
 c stands for Fixture Colour. Use W for White or B for Black  
 M stands for Main Luminaire, E stands for Extension Luminaire

## DIMENSIONS



## COMPLIANCE

The enl-LI203 meets all relevant standards and regulatory requirements.



[www.enlighten.com.au](http://www.enlighten.com.au) | 1800 365 444



## TECHNICAL INFORMATION

### Optical

Light source	LED
CRI	Ra>80
Beam Angle	15°, 24°, 38°, 50°, 35x55°
CCT	3000K, 4000K, 5000K
Luminaire efficacy	Up to 100lm/W

### Electrical

Power consumption	42W
Operating voltage & frequency	220-240 VAC , 50/60 Hz
Power factor	>0.9

### Environmental

IP rating	IP20
Ambient temperature range	-20°C to + 45°C
Material Composition (body)	Aluminium
Fixture Colour	White (RAL 9016) / Black (RAL9005)

<b>Expected Lifespan</b>	>54,000hrs @L70
<b>Warranty*</b>	5 years

Data subject to change without notice  
 \* Refer to warranty policy