

BOLLARD enl-BD640

Using an asymmetrical lens, the BD640 LED Bollard delivers a layering of indirect and soft light. Perfect for townhouses, hotels, restaurants as well as general landscaped areas.

FEATURES

- **IP65** - Weather protection
- **IK08** - Impact resistance
- **Asymmetric forward throw optic** enables wider coverage

OPTIONS

- **Colour** - Black or White
- **Height** - 500mm or 1000mm



BOLLARD enI-BD640

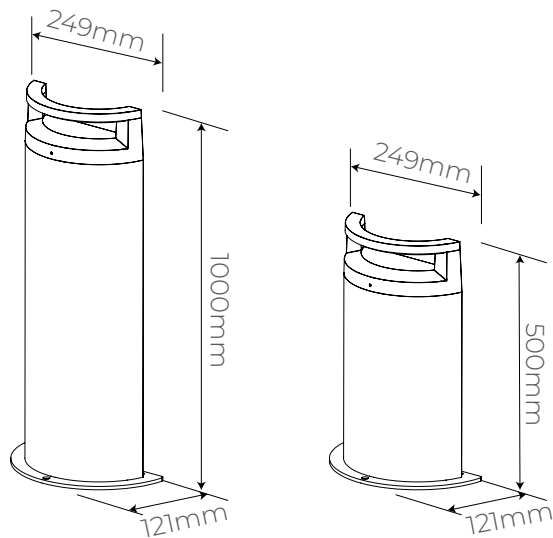


PRODUCT RANGE

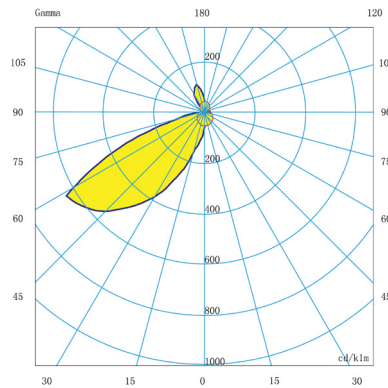
| Model # | Rated Power (W) | Luminous Flux (lm) | Dimensions (mm) | Weight (kg) |
|----------------------|-----------------|--------------------|------------------|-------------|
| enI-BD640-8yy-500-c | 10 | 500-510 | 249 x 121 x 500 | 2.7 |
| enI-BD640-8yy-1000-c | | | 249 x 121 x 1000 | 4.6 |

yy stands for CCT. Use 30 for 3000K, 40 for 4000K.
c stands for Fixture Colour. Use B for black or W for white

DIMENSIONS



PHOTOMETRICS



TECHNICAL INFORMATION

Optical

| | |
|--------------|------------------|
| Light source | LED |
| CRI | Ra>80 |
| Beam Angle | Asymmetrical 50° |
| CCT | 3000K, 4000K |

Electrical

| | |
|-------------------------------|-----------------------|
| Power consumption (W) | 10 |
| Operating voltage & frequency | 200-240 VAC , 50/60Hz |
| Power factor | >0.90 |
| Surge protection | 1kV line-line |

Environmental

| | |
|-----------------------------|------------------------------------|
| IP rating | IP65 |
| Impact rating | IK08 |
| Ambient temperature range | -25°C to + 45°C |
| Material Composition (body) | Aluminium alloy: |
| Fixture Colour | Black (RAL9005) or White (RAL9016) |

LED Lifespan >54,000hrs @L70

Warranty* 5 years

Data subject to change without notice
* Refer to warranty policy

COMPLIANCE

The enI-BD640 meets all relevant standards and regulatory requirements.



www.enlighten.com.au | 1800 365 444



Ver 2

enLighten Australia Pty Ltd
3/12 Frederick St, St Leonards, NSW 2065