

BATTEN LIGHT enl-BT240



The BT240 is an IP20 batten suitable for indoor areas that require high performing stylish batten.

FEATURES

- Efficacy of 170lm/w
- Wider base - reduces makegood

OPTIONS

- Sizing Options - 600mm or 1200mm
- Microwave Sensor



BATTEN LIGHT enl-BT240

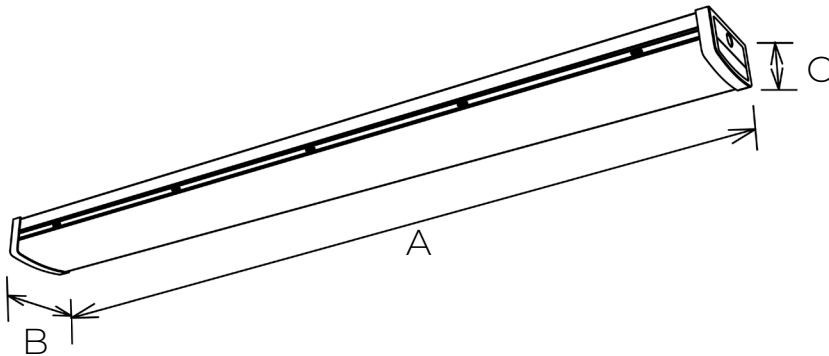


PRODUCT RANGE

| Model # | Description | Rated Power (W) | | Luminous Flux (lm) | Dimensions(mm) |
|-------------------------|-------------------------|-----------------|---------|--------------------|--------------------------|
| | | Full Light | Standby | | |
| enl-BT240-16-8yy-600 | 600mm 16W | 16 | N/A | 2550 | 600(A) x 124(B) x 68(C) |
| enl-BT240-16-8yy-600-S | 600mm 16W w/ MW Sensor | | 5 | | |
| enl-BT240-16-8yy-1200 | 1200mm 16W | 16 | N/A | 2570 | 1200(A) x 124(B) x 68(C) |
| enl-BT240-16-8yy-1200-S | 1200mm 16W w/ MW Sensor | | 5 | | |
| enl-BT240-28-8yy-1200 | 1200mm 28W | 28 | N/A | 4480 | 1200(A) x 124(B) x 68(C) |
| enl-BT240-28-8yy-1200-S | 1200mm 28W w/ MW Sensor | | 6 | | |

yy stands for CCT. Use 30 for 3000K, 40 for 4000K, 50 for 5000K.

DIMENSIONS



TECHNICAL INFORMATION

Optical

| | |
|--------------------|-----------------------|
| Light source | LED |
| CRI | Ra>80, Ra>90 optional |
| Beam Angle | 120° |
| CCT | 3000K, 4000K, 5000K |
| Luminaire efficacy | Up to 170lm/W |

Electrical

| | |
|-------------------------------|------------------------|
| Power consumption | 16W or 28W |
| Operating voltage & frequency | 200-240 VAC , 50/60 Hz |
| Power factor | >0.9 |

Environmental

| | |
|-----------------------------|-------------------------------|
| IP rating | IP20 |
| IK rating | IK06 |
| Weight | 600mm - 1.5kg, 1200mm - 2.9kg |
| Ambient temperature range | -20°C to + 45°C |
| Material Composition (body) | Powder coated sheet metal |

| | |
|----------------|-------|
| Fixture Colour | White |
|----------------|-------|

| | |
|--------------------------|-----------------|
| Expected Lifespan | >54,000hrs @L70 |
|--------------------------|-----------------|

| | |
|----------------------------|------------------|
| Controls - Optional | Microwave Sensor |
|----------------------------|------------------|

| | |
|------------------|---------|
| Warranty* | 5 years |
|------------------|---------|

Data subject to change without notice
* Refer to warranty policy

COMPLIANCE

The enl-BT240 meets all relevant standards and regulatory requirements.



www.enlighten.com.au | 1800 365 444



Ver 3

enLighten Australia Pty Ltd
3/12 Frederick St, St Leonards, NSW 2065