

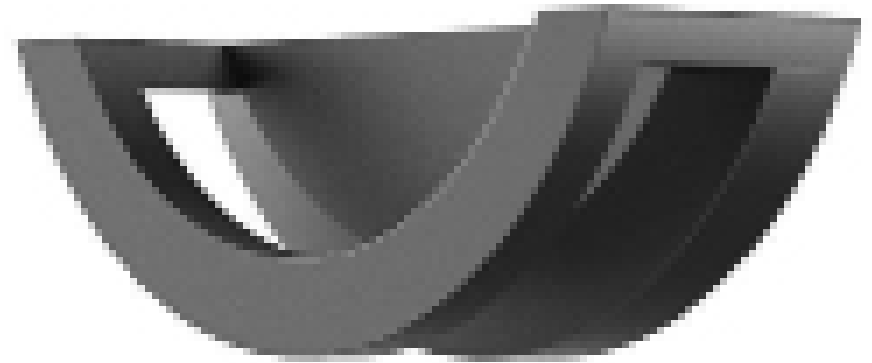
WALL LIGHT enl-WL460



Using an asymmetrical lens, the WL460 LED Wall Light delivers a layering of indirect and soft light. Perfect for townhouses, hotels and restaurants, where a decorative lighting feature is required.

FEATURES

- IP65 - Weather protection
- IK08 - Impact resistance



WALL LIGHT enl-WL460

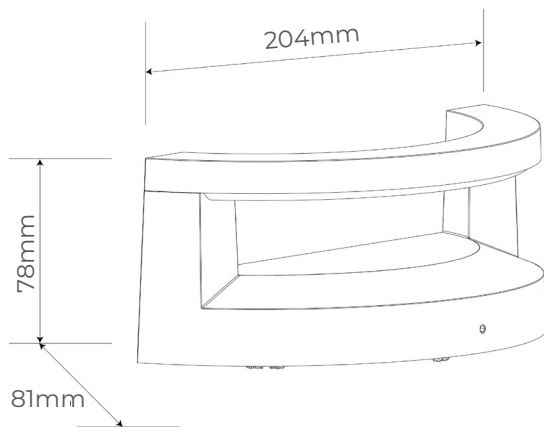


PRODUCT RANGE

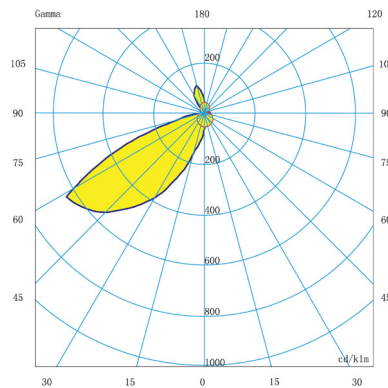
Model #	Rated Power (W)	Luminous Flux (lm)	Dimensions (mm)	Weight (kg)
enl-WL460-8yy	10	490-530	204 x 81 x 78	0.5

yy stands for CCT. Use 30 for 3000K, 40 for 4000K, 50 for 5000K

DIMENSIONS



PHOTOMETRICS



TECHNICAL INFORMATION

Optical

Light source	LED
CRI	Ra>80
Beam Angle	Asymmetrical 50°
CCT	3000K, 4000K, 5000K

Electrical

Power consumption (W)	10
Operating voltage & frequency	200-240 VAC , 50/60Hz
Power factor	>0.90
Surge protection	1kV line-line

Environmental

IP rating	IP65
Impact rating	IK08
Ambient temperature range	-20°C to + 45°C
Material Composition (body)	Aluminium alloy:
Fixture Colour	Black (RAL9005)

LED Lifespan >54,000hrs @L70

Warranty* 5 years

Data subject to change without notice
* Refer to warranty policy

COMPLIANCE

The enl-WL460 meets all relevant standards and regulatory requirements.



www.enlighten.com.au | 1800 365 444



Ver 1

enLighten Australia Pty Ltd
3/12 Frederick St, St Leonards, NSW 2065