



enLighten

Area/Street Luminaire

75%
ENERGY SAVINGS

Traditional HID lighting replacement

Zorro 2 DC

Reliable, efficient, built to last



The Zorro 2 DC continues the legacy of the Zorro area light, being robust and reliable. The Zorro 2 DC has improved efficacy and greater versatility providing quality illumination over 150 lumens per watt.

Comes in a wide range of power & light distribution options. Supremely efficient long life IP66 luminaire, ideal for any urban, industrial or residential application to light up pathways, streets, carparks & other similar areas. It offers both performance and ease of installation.

The Zorro DC can be interfaced with a solar/battery powered system via 24V DC drivers for remote or mobile applications where 240V supply is not available.

OPTIONS AND BENEFITS

- **Easy to install & maintain** - Toolless clipping system
- **Expected life >110,000hrs @ L70** from high quality high powered LEDs
- **High efficacy of >150 lm/w** using Lumileds LEDs
- **In-built surge protection** - 10kV
- **Control options** - PE Cell
- **Mounting accessories** - pole reducer, cross arm, adaptor & wall mount bracket
- **Available in black & grey**
- **IP66** - Ingress protection
- **IK10** - Impact rating
- **5 year warranty**

APPLICATIONS



BIKE PATHS



CAMPUSES UNIVERSITIES



COUNCIL PARKS



INDUSTRIAL ESTATE



OUTDOOR CARPARKS

FEATURES



HORIZONTAL MOUNT



IMPACT RATING



INGRESS PROTECTION



LOW MAINTENANCE



VERTICAL MOUNT



YEAR WARRANTY

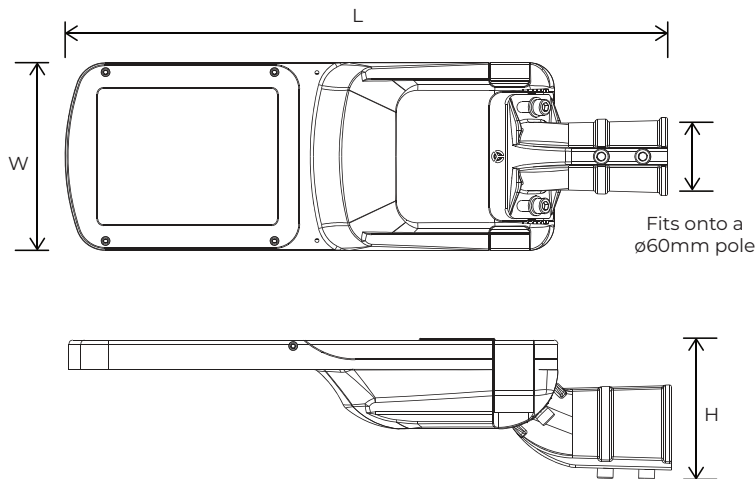
PRODUCT RANGE

Model #	Rated Power (W)	Input Voltage	Current Load	Lumen Output (lm)	Weight (kg)
ZAL15S-Tx-4K-A-B-12VDC	15	12VDC	1.25A	2,400	4.7
ZAL40S-Tx-4K-A-B-12VDC	40	12VDC	3.3A	6,400	4.7
ZAL60S-Tx-4K-A-B-12VDC	60	24VDC	2.5A	8,900	4.7

x stands for lens type and can be 2, 3 or 4 for Type 2, Type 3 or Type 4 light distribution.

B stands for Black coloured housing & can be replaced with G for Grey.

DIMENSIONS



TECHNICAL INFORMATION

Optical

Light source	Lumileds LEDs
Lumen output	2,400 - 8,900 lumens
CRI	Ra>70
CCT	4000K standard 2200K - 5700K available on request
Luminaire efficacy	> 150 lm/W

Electrical

Power consumption (W)	15, 40, 60
Operating voltage range	12-24V DC

Environmental

IP rating	IP66
Impact rating	IK10
Weight	4.7 - 8.1kg
Ambient temperature range	-40°C to +50°C

Material Composition (body)	Powder coated die-cast aluminium
Glass cover	Tempered glass
Expected Lifespan	>110,000 hours @ L70

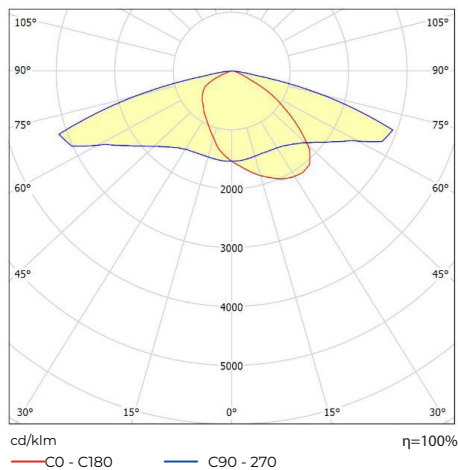
Controls - Optional	Photoelectric (PE) cell
----------------------------	-------------------------

Accessories	Wall mounted bracket Pole mount adaptors
--------------------	---

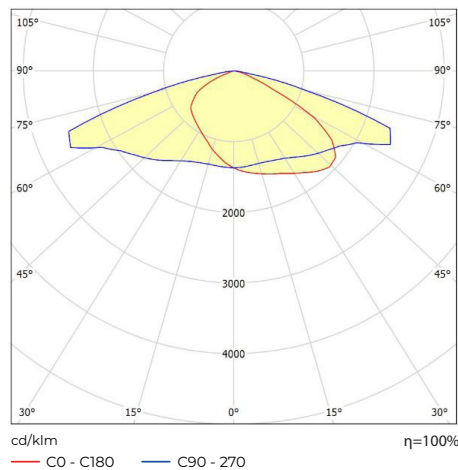
Warranty*	5 years
------------------	---------

Data subject to change without notice
* Refer to warranty policy

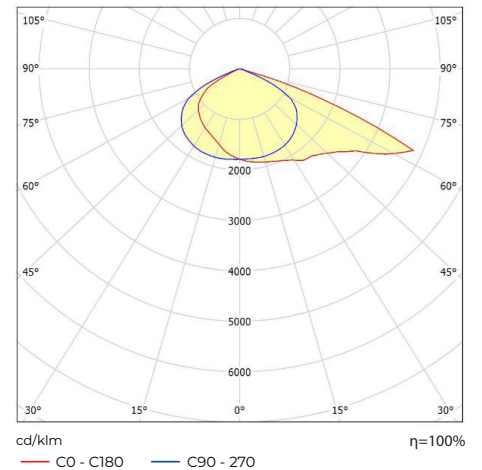
PHOTOMETRICS



Type 2



Type 3



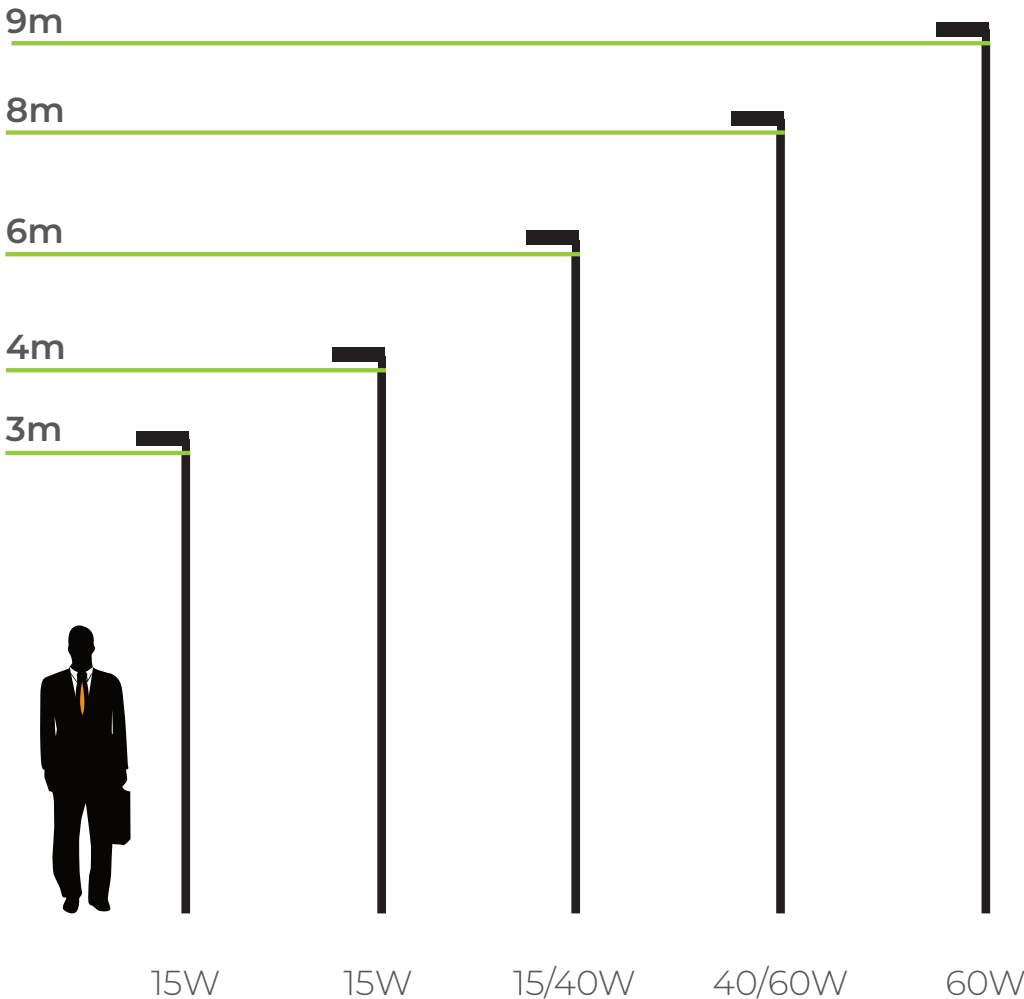
Type 4



OPTIC SELECTION GUIDE

Lens	Distribution	Application	Area Covered In front of Pole	Area Covered Sideways
Type 2	Wide Street Side Throw & Narrow Forward Throw (Most commonly used for 15W models)	Narrow Pathways/Lanes/Roads	1.6x Pole Height	5.1x Pole Height
Type 3	Medium Street Side & Forward Throw (Most commonly used for models 40W and above)	Wider Pathways/Lanes/Roads; Carparks, Area Lighting	1.9x Pole Height	4.7x Pole Height
Type 4	Narrow Street Side Throw & Large Forward Throw	Large Area in front of pole	2.6x Pole Height	3.4x Pole Height

INDICATIVE POLE HEIGHT GUIDE



Indicative guide only.

Use higher wattages if:

- You need higher lux levels or
- The compliance requirement is higher than the lowest lighting standard

Request a lighting design for full compliance to the Australian Standards

SMART CONTROLS

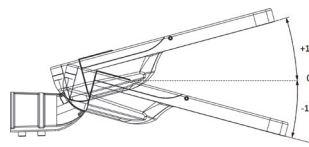
The Zorro 2 DC optional smart control solutions:

Photoelectric (PE) sensors integrated into the Zorro 2 DC light fitting enables automatic switching.

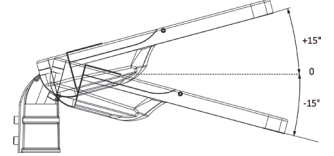
MOUNTING

The Zorro 2 DC comes with a spigot/mounting bracket, which can be adjusted for horizontal or vertical mounting at angles shown below. The bracket is suitable to be mounted on a 60mm diameter pole or arm.

Adjustable tilt angle: $\pm 0-5-10-15^\circ$



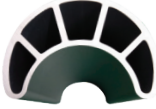



Horizontal installation



Vertical installation

POLE MOUNT ADAPTORS & ACCESSORIES

Name	Part Number	Description
 Pole Reducer	ZWB-PoleRed	Reduces pole diameter from 78mm to 60mm. Powder coated Q235 steel 3mm/7.5mm thickness, RAL9022
 Cross Arm	ZWB-CrosArm	Perfect for two lights on one pole. Arm: 500mm x 60mm diameter. Fits 76mm diameter round pole. Powder coated Q235 steel, RAL9022
 Connecting Adaptor	ZWB-ConAdapV2	Increase 42mm pole size to 60mm. Anodized aluminium, 4mm thickness
 Wall Mounted Bracket	ZWB-15 Degree	Wall mounted bracket creating a 15° upward tilt. Galvanised hot dip 3mm/6mm thickness