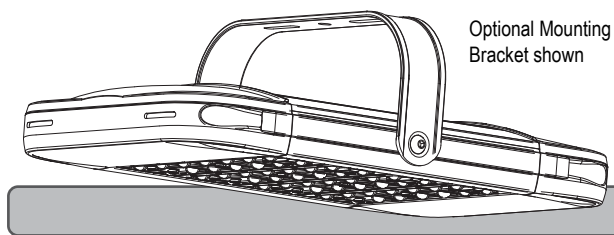


EASY INSTALLATION

Comes with 3m Australian Flex and Plug and eye bolts as standard.
A mouting bracket is available as an optional extra.

READ AND FOLLOW ALL SAFETY INSTRUCTIONS

1. To avoid the possibility of electrical shock, turn off power supply before installation or servicing. Installation and servicing should be performed by a qualified electrician and in accordance the latest wiring regulations.
2. Light must be operated within its specified operating parameters and in accordance with our warranty requirements.
These documents are available on our website.



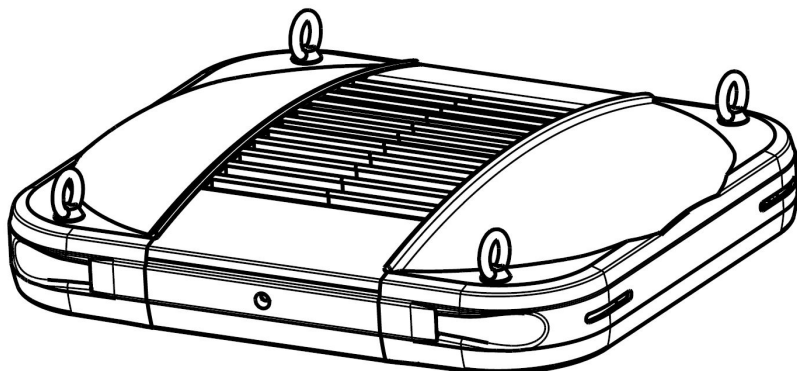
100-240V/277V AC, 50/60Hz, Suitable for Wet Locations (IP65), Class I
*This product must be earthed

Model No.	Power	Dimension	Weight
HB80-5000-xx	80W	366 x340 x156 mm	4.3 kg
HB120-5000-xx	120W	439 x340 x156 mm	5.2 kg
HB160-5000-xx	160W	512 x340 x156 mm	6.0 kg
HB200-5000-xx	200W	585 x340 x156 mm	7.0 kg
HB240-5000-xx	240W	658 x340 x156 mm	7.8 kg

xx denotes 60° / 90° / 110° degree beam angle

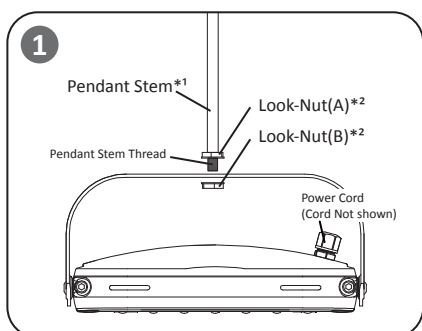
TO INSTALL:

Use one of the mouting methods described below

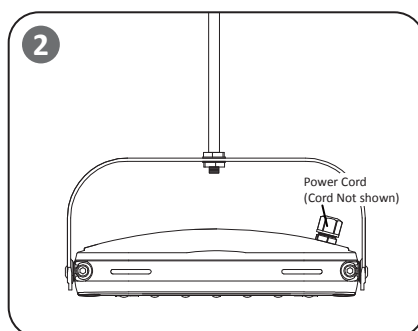


SUSPENSION MOUNTING

- STEP 1:**
Attach your preferred hanging chain (not supplied) to the four eye bolts on fitting.
- STEP 2:**
Secure hanging chain to ceiling.
- STEP 3:**
Connect the power plug to a mains power socket.



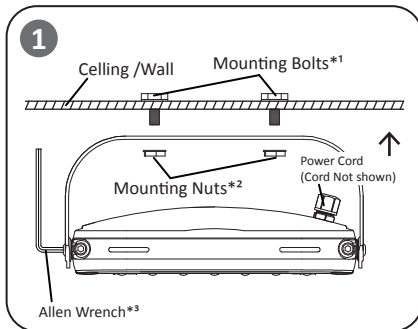
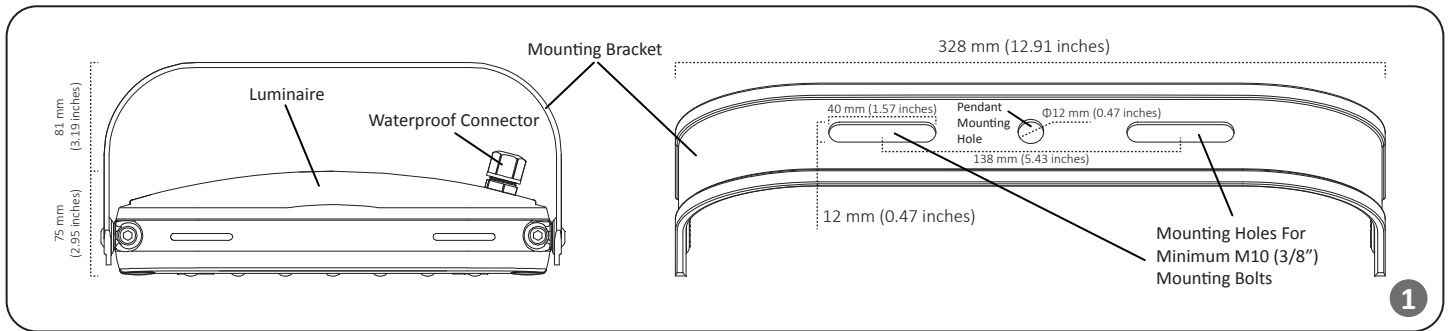
*1 Pendant Stem can not be soft material (not-provided)
*2 Look Nuts are not provided



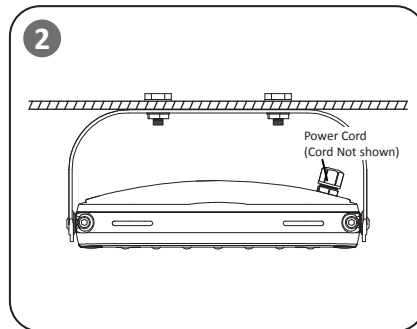
PENDANT MOUNTING

- STEP 1:**
Assemble the mounting bracket to the fixture by provided M10 (3/8") round head screws.
- STEP 2:**
Attach Lock-Nut(A) to the bottom of the Pendant Stem. Attach Lock-Nut(B) by holding the interjacent Fixture Bracket and tightening Lock-Nut(B) until secure. See **Figure 1**.
- STEP 3:**
Loosen the mounting bracket screws, adjust the fixture to desired position, re-secure the screws.
- STEP 4:**
Connect the power plug to a mains power socket.

SURFACE MOUNTING



- *1 Minimum M10 (3/8") Bolts (not-provided)
- *2 Mounting Nuts are not provided
- *3 Allen Wrench: 8mm (5/16")



STEP 1:

Assemble the mounting bracket to the fixture by provided M10 (3/8") round head screws.

STEP 2:

Mount the fixture by TWO(2) minimum M10 (3/8") bolts. See **Figure 1**.

STEP 3:

Loosen the mounting bracket screws, adjust the fixture to desired position, re-secure the screws.

STEP 4:

Connect the power plug to a mains power socket.

