

UP TO  
**93%**  
ENERGY SAVINGS

Microwave sensor luminaire designed for Car Parks and Fire Stairs

# Chamaeleon™ Eco

Microwave sensor controlled luminaire



Optional  
IR commissioning tool

## PRODUCT RANGE

Model #	Description	Lumens (lm) Full light	Rated Power (W)	
			Full light (adjustable)	Standby (adjustable)
EN-SL-S	Ceiling mount standard	2500	22	3
EN-SL-E	Ceiling mount emergency	2500	25	6

EnLighten has broadened the award winning Chamaeleon™ range with the Chamaeleon™ Eco. It is an excellent choice for fire stairs, car parks and corridors, featuring design enhancements that allow for easier installation and light control flexibility.

The Eco complements the Chamaeleon™ range to offer a valuable solution for back of house lighting in residential strata common areas, commercial and industrial applications.

## CONTRACTOR BENEFITS

- **Emergency and non emergency** options available
- **Ease of installation** - Up to 50% faster to install with predrilled holes, screw less gear tray and large terminal block
- **Commissioning tool** - Easily adjustable with infrared, universal remote to tailor the output and options to suit the client's requirements
- **Daylight Harvesting** - Additional savings are available by activating the PE sensor
- **IP65** - Ingress protection
- **IK10** - Highest level of impact resistance

## CLIENT BENEFITS

- **Reduce energy cost** through utilising the full features of the light
- **Expected life >54,000hrs** from the selection of high quality LEDs
- **Adjustable full and standby lighting levels** - Can also be set to Permanently On
- **Australian design**
- **5 year warranty**



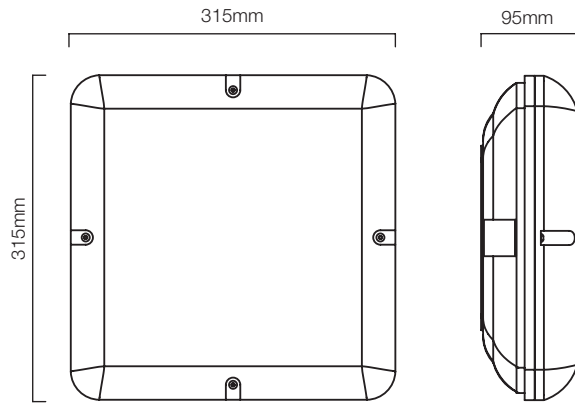
## APPLICATIONS



## FEATURES

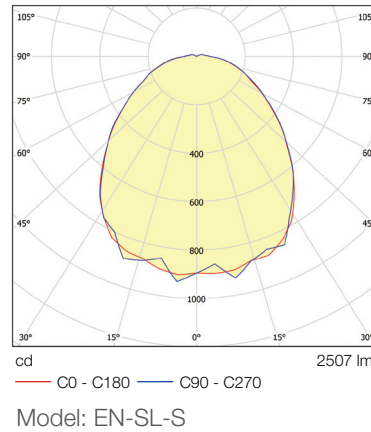


## DIMENSIONS AND WEIGHT



**Weight:** 2.5kg (standard)  
3kg (emergency)

## PHOTOMETRICS



## TECHNICAL INFORMATION

### Optical

Light source	Lumileds LED
Lumen output	2500 lm
CRI	Ra>80
CCT	4000K

### Electrical

Power consumption (W)	22W Full light output (standard) & 25W (emergency) 3W Standby light output (standard) & 6W (emergency)
Operating frequency	50/60Hz
Operating voltage range	100- 240 V AC
Power factor	>0.9 240 V AC at full load

### Emergency light

Battery type	7.2V NiMH 1800mAh
Discharge time	90 minutes
Emergency classification	D50

### Environmental

IP rating	IP65
Impact rating	IK10
Weight	2.5kg (standard) 3Kg (emergency)
Ambient temperature range	-10° C to + 50° C
Material Composition (body)	Polycarbonate
Material Composition (diffuser)	Polycarbonate
Expected Lifespan	>54,000 hours @ L70

### Controls

Microwave motion sensor & PE daylight sensor standard  
Optional IR remote control

### Warranty\*

5 years (Battery 1 year)

Data subject to change without notice  
\* Refer to warranty policy

## COMPLIANCE

The Chamaeleon Eco series meets or exceeds all relevant standards and regulatory requirements.



For a full compliance and testing list visit [www.enlighten.com.au](http://www.enlighten.com.au). IES files, warranty, installation and product guides are also available for download.

Sold nationally through major electrical wholesalers.