

UP TO  
**75%**  
**ENERGY SAVINGS**  
 150 – 400W HID replacement

# Kascade

HACCP approved food grade luminaire



## PRODUCT RANGE

Model #	Description	Lumen Output (lm)	Rated Power (W)
KHB100-50K-xx-90	100W 5000K CRI>90 Kascade LED Highbay	11,260	100
KHB120-50K-xx-90	120W 5000K CRI>90 Kascade LED Highbay	12,940	120
KHB150-50K-xx-90	150W 5000K CRI>90 Kascade LED Highbay	16,910	150
KHB200-50K-xx-90	200W 5000K CRI>90 Kascade LED Highbay	21,570	200

xx denotes beam angle: 120°, 90°, 50°

Introducing a high-performance, high CRI, HACCP approved LED highbay ideal for use in food production and other industrial areas.

The Kascade LED highbay has a high light output, high colour rendering whilst keeping power consumption low.

Designed with no glass, it is completely sealed from the environment and offers glare shielding.

## CONTRACTOR BENEFITS

- **Ease of installation** - Single point hook mounting with 3m flex & plug
- **Zero maintenance** - Reliable Meanwell driver
- **Available in 100W, 120W, 150W & 200W**
- **Narrow, medium & wide beam optics** - Ensure flexible delivery of light
- **IP66** - Ingress protection for dust tightness & protection against powerful jets of water
- **IK10** - Highest level of impact resistance

## CLIENT BENEFITS

- **HACCP approved luminaire** for safe use in food production areas
- **Very high colour rendering** - CRI >90 for clear distinction between object colours
- **High performance Nichia LEDs** with over 170,000 hours of operating life @L70
- **High luminaire efficacy** - Over 107 lumens per watt for CRI>90
- **Power factor improvements** when replacing traditional HID lighting
- **Generous ambient operating temperature** range of -30°C to +50°C

## APPLICATIONS



WAREHOUSING



FOOD  
MANUFACTURING

## FEATURES



SAFETY  
COMPLIANCE



SUSPENDED  
MOUNT



COLOUR  
RENDERING



INGRESS  
PROTECTION

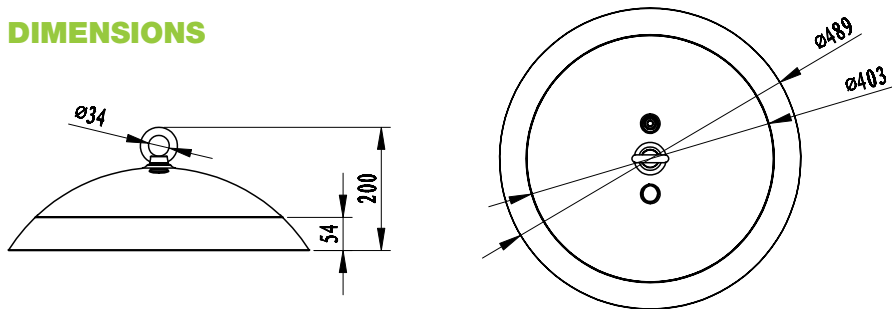


IMPACT  
RATING

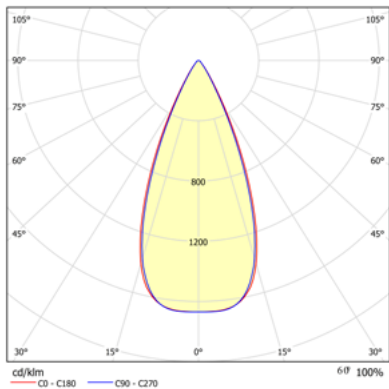


YEAR  
WARRANTY

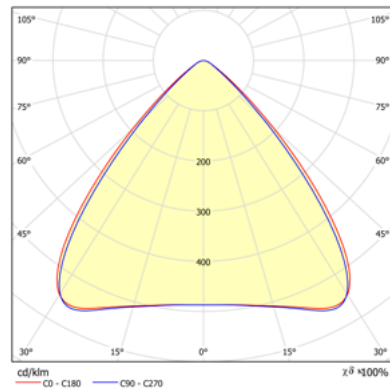
## DIMENSIONS



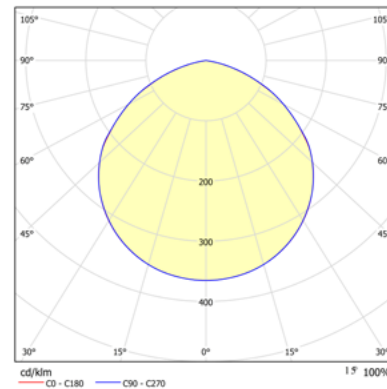
## PHOTOMETRICS



50° model



90° model



120° model

## COMPLIANCE

The Kascade LED highbay meets or exceeds all relevant standards and regulatory requirements.

For a full compliance and testing list visit [www.enlighten.com.au](http://www.enlighten.com.au). IES files, warranty, installation and product guides are also available for download.

Sold nationally through major electrical wholesalers.



## TECHNICAL INFORMATION

### Optical

Light source	Nichia LEDs
Lumen output	11,200 – 21,640 lumens
CRI	Ra > 90 standard; Ra > 80 optional
CCT	5000K standard; 3000K & 4000K optional
Luminaire efficacy	> 107 lm/W
Beam angle	120°, 90°, 50°

### Electrical

Power consumption	100W, 120W, 150W, 200W
Operating frequency	50Hz
Operating voltage range	220 – 240V AC
Power factor	>0.90 / 240V AC
Driver	Meanwell

### Environmental

IP rating	IP66
Impact rating	IK10
Net Weight	7.2 ± 0.3 kg
Ambient temperature range	-30°C to 50°C
Material Composition (body)	Aluminium Alloy
Material Composition (diffuser)	Polycarbonate lens
Expected Lifespan	>170,000 hours @L70, >100,000 @L80, > 45,000 @L90

### Warranty\*

5 years

Data subject to change without notice  
\* Refer to warranty policy